

NEW SERIES COMBI HU-EX6 959

■ UNIQUENESS

■ INNOVATION

■ RESULT

NEW SERIES COMBI HU-EX6 959

The new series of Combi HU-EX6 959 heat exchangers is designed for application in systems with high air flow (> 2500 m³/h) and represents an evolution of the HU-EX6 477 monoblock model.

The Combi HU-EX6 959 consists of two HU-EX6 477 heat exchangers and two flow separators assembled in a single housing. In this way, the Combi HU-EX6 959 retains the operation logic and all the advantages of the counter-flow heat exchanger, distributing the entire incoming air flow into two monoblocks.

The use of the Combi HU-EX6 959 makes it possible to use the full potential of the exhaust air flow where monoblock and smaller models are inefficient in their function. Increasing the air flow while reducing the overall dimensions of the heat exchanger is the key to the success of this model.



MAIN ADVANTAGES



High efficiency

The Combi version involves the use of two heat exchangers in parallel, which has a positive effect on efficiency (≈ 86%)



Balanced pressure drop

The dual parallel flow direction better resists high flows by dividing them into 2 monoblocks



Easy replacement and installation

The heat exchanger dimensions correspond to the standard overall dimensions of well-known manufacturers in the market of heat exchangers



Higher air flow – smaller size

The Combi model allows operation with higher flow and smaller heat exchanger size

APPLICATION



Residential buildings



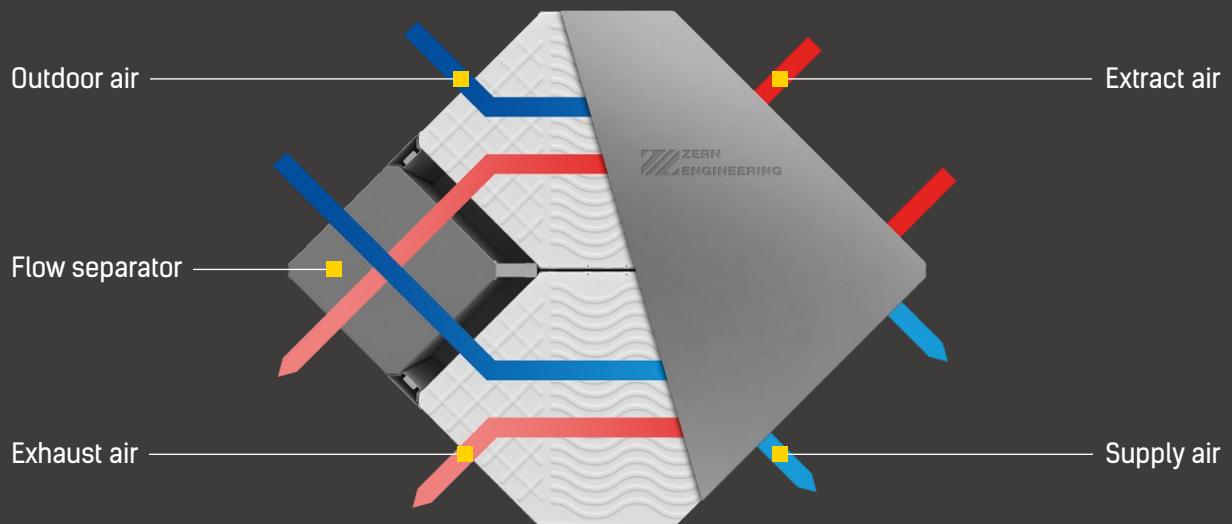
Enterprises



Educational establishments

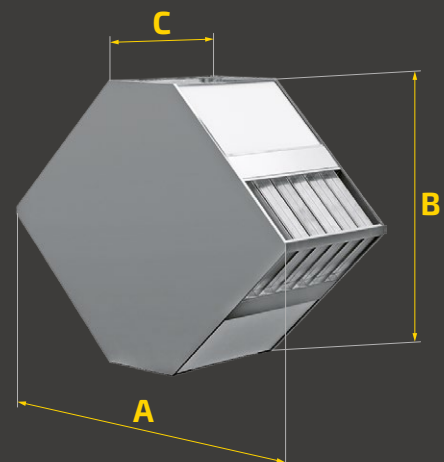
OPERATING PRINCIPLE

The Combi HU-EX6 959 is based on the counter-flow heat exchanger operating principle. The difference is that the two HU-EX6 477 heat exchangers are used in parallel, dividing the flow for more efficient utilisation with flow separators.



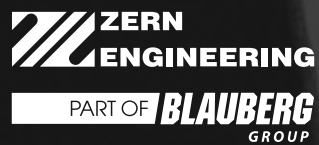
OVERALL DIMENSIONS

Model	Dimensions [mm]			
	A	B	C	X - casing design
Combi HU-EX6 959/100...600-3	1182	959	100...600	3



CASING DESIGN

3 – aluminium



Stäblistraße 6
81477 Munich

HQ Tel. +49 89 23166620
HQ Fax. +49 89 78069521

sales@zern-engineering.com
zern-engineering.com

The Company reserves the rights to modify any of its products' features, designs, components and specifications at any time and without notice to maintain the development and quality of manufactured goods.

2023-02