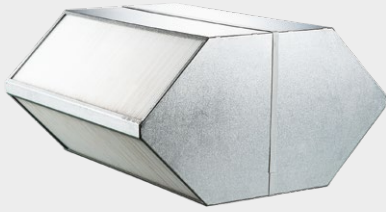


NEW HU-EX6 271 SERIES

■ UNIQUENESS

■ INNOVATION

■ RESULT



NEW HU-EX6 271 SERIES

Expansion of the product range in the HU family. The plates of this heat exchanger are made of polystyrene, which is a rarity on the market and makes it possible to achieve impressive technical performance. The heat exchanger of this series is designed to recover thermal energy of the exhaust air in small balanced ventilation systems. The product is intended to be used in small AHUs with air flow up to 800 m³/h.

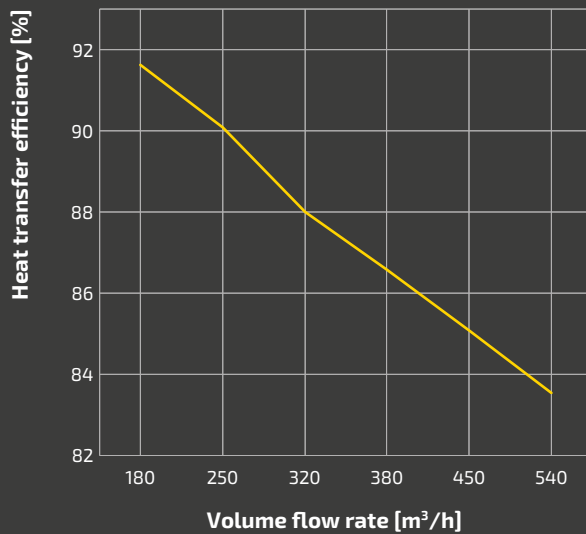
↑ High heat transfer efficiency

The new series heat exchanger has one of the highest efficiency rates on the market > 87%

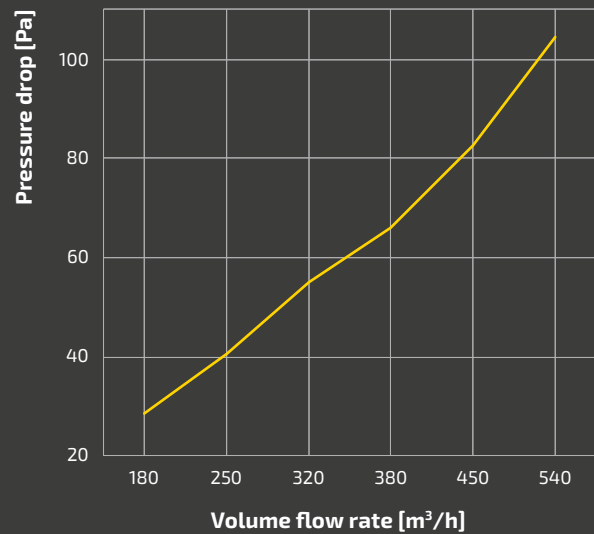
↓ Balanced differential pressure

The new configuration of the plates and the heat exchanger as a whole made it possible to achieve a balance between high efficiency and an acceptable pressure drop.

DEPENDENCY DIAGRAMS



■ HU-EX6 271/500



Test results on a HU-271/500-1 model with a depth of 500 mm, test conditions according to DIN EN 13141-7 (as well as EN 308)

APPLICATION



Residential buildings



Kindergartens



School premises

ADVANTAGES



Popular model
in the market



Impressive heat transfer
efficiency > 87 %



Balanced pressure drop



High quality materials
and assembly



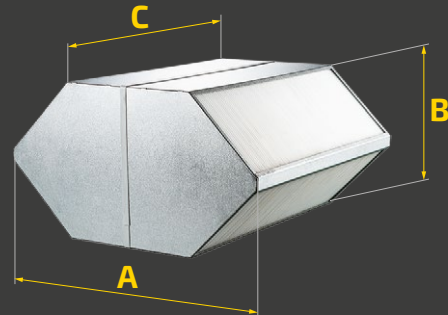
Simple to install
and maintain



Competitive price
and production time

OVERALL DIMENSIONS

Model	Dimensions [mm]			
	A	B	C	X – casing design
HU-EX6 271/100...600-1 (1.1)	496	271	100...600	1/1.1



CASING DESIGN

- 1** – aluzinc casing
- 1.1** – aluzinc casing with a T-profile



Not large offices

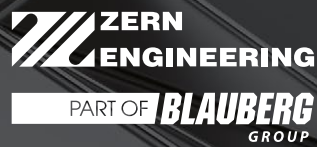


Cottage rooms



Hospital wards

NEW HU-EX6 271 SERIES



Stäblistraße 6
81477 Munich

HQ Tel. +49 89 23166620
HQ Fax. +49 89 78069521

sales@zern-engineering.com
zern-engineering.com

The Company reserves the rights to modify any of its products' features, designs, components and specifications at any time and without notice to maintain the development and quality of manufactured goods.

2022-06