

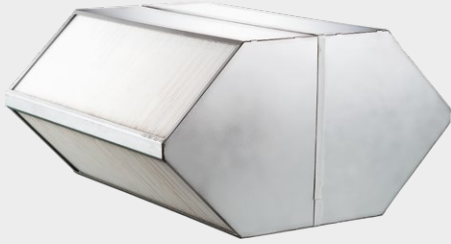


NEW HU-EX6 312 SERIES

■ UNIQUENESS

■ INNOVATION

■ RESULT



NEW HU-EX6 312 SERIES

Expansion of the model range in the HU family.
 Another addition to the line of counter-flow polystyrene heat exchangers is the HU-EX6 312 series. The heat exchanger of this series is designed to recover thermal energy of the exhaust air in balanced ventilation systems. The product is intended to be used in small AHUs with air flow up to 1000 m³/h.

High heat transfer efficiency

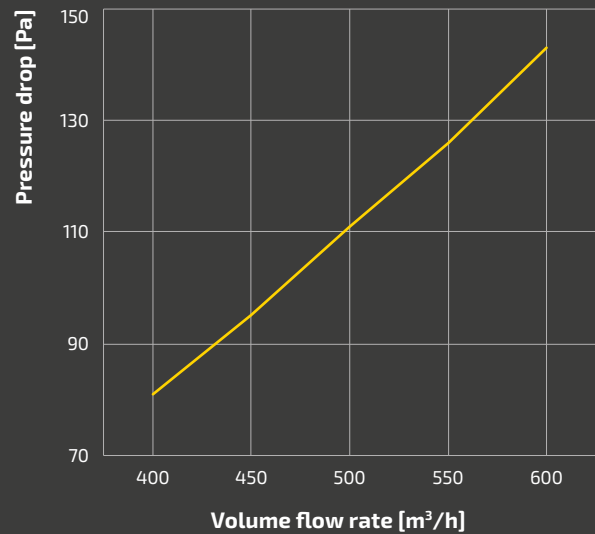
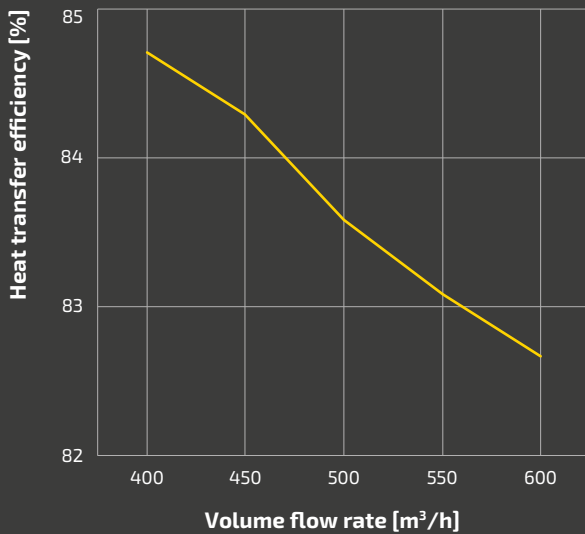
This heat exchanger has a high heat transfer rate for its series > 85 %.

Balanced differential pressure

Using the experience gained in the development of previous series, our team has been able to develop a series of heat exchangers with a competitive ratio of pressure drop to heat transfer efficiency.

DEPENDENCY DIAGRAMS

■ HU-EX6 312/500



Test results on a HU-312/500-3 model with a depth of 500 mm, test conditions according to DIN EN 13141-7 (as well as EN 308)

APPLICATION



Residential buildings



Kindergartens



School premises

ADVANTAGES



Another popular series
in our product range



High heat transfer efficiency
for this series > 85%



Competitive pressure drop/
heat transfer efficiency
ratio on the market



Suitable for domestic AHUs with
air flow up to 1000 m³/h



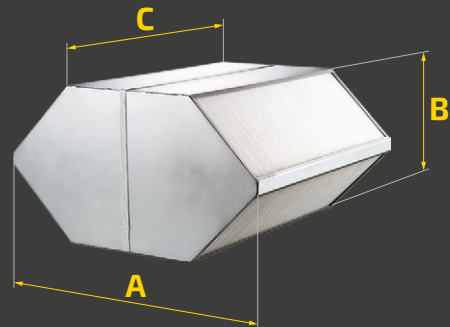
High quality materials
and assembly



Competitive price
and production time

OVERALL DIMENSIONS

Model	Dimensions [mm]			
	A	B	C	X – casing design
HU-EX6 312/100...600-3 (3.1)	537	312	100...600	3/3.1



CASING DESIGN

3 – aluminium casing

3.1 – aluminium casing with a T-profile



Not large offices

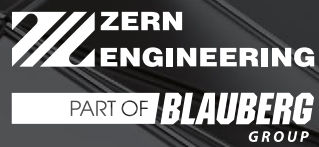


Cottage rooms



Hospital wards

NEW HU-EX6 312 SERIES



Stäblistraße 6
81477 Munich

HQ Tel. +49 89 23166620
HQ Fax. +49 89 78069521

sales@zern-engineering.com
zern-engineering.com

The Company reserves the rights to modify any of its products' features, designs, components and specifications at any time and without notice to maintain the development and quality of manufactured goods.

2022-04