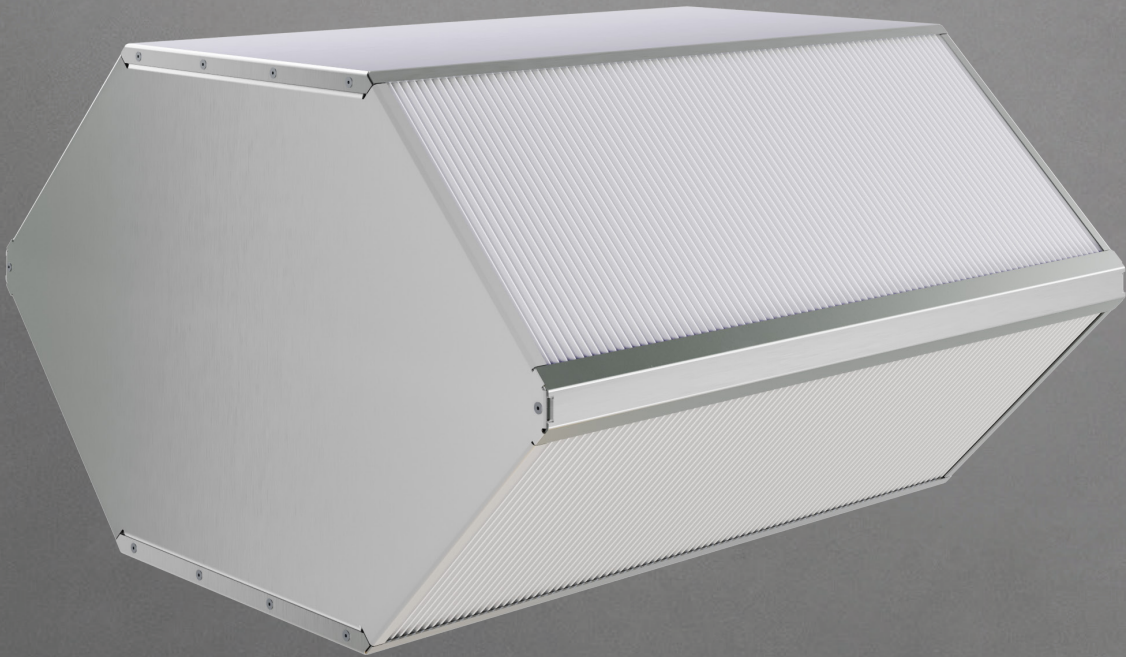




HS-EX6 312 THE SUPERB SERIES



■ UNIQUENESS

■ INNOVATION

■ RESULT

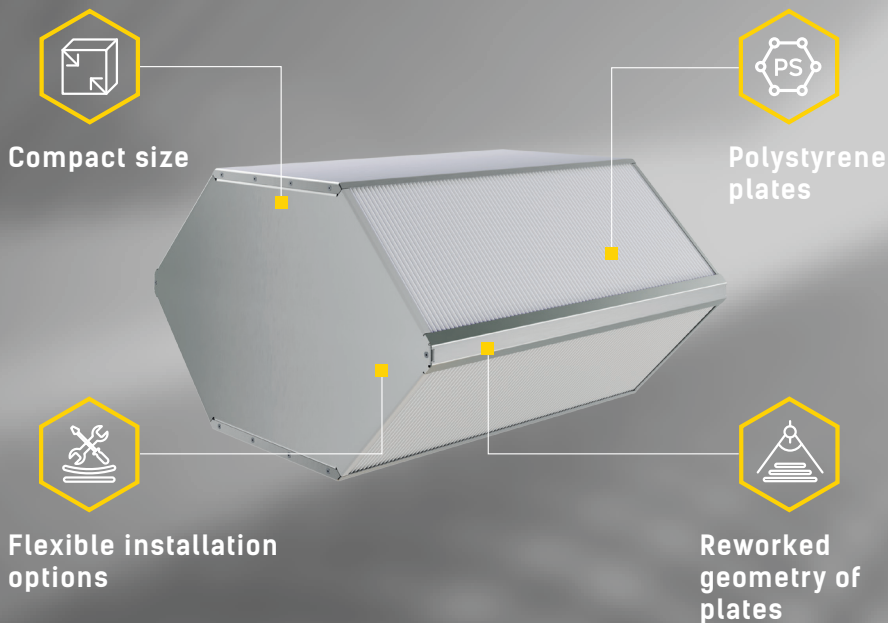
HS-EX6 312 SERIES

Superb efficiency

The HS-EX6 312 - extension of the family of high efficiency plate heat exchangers, the so-called **Superb Series**.

This series has been developed to meet the needs of the most demanding systems and energy efficiency standards.

This size of heat exchangers is widely available on the market and is used in AHUs with flow rates **up to 700 m³/h**, making it suitable for a wide range of systems: apartments, offices, houses, etc.



MAIN ADVANTAGES



Superb efficiency

New plate profile + increased heat exchange area = superb efficiency



Good pressure drop

Pressure drop is optimised to balance airflow with maximum heat recovery



Compact, high-performance design

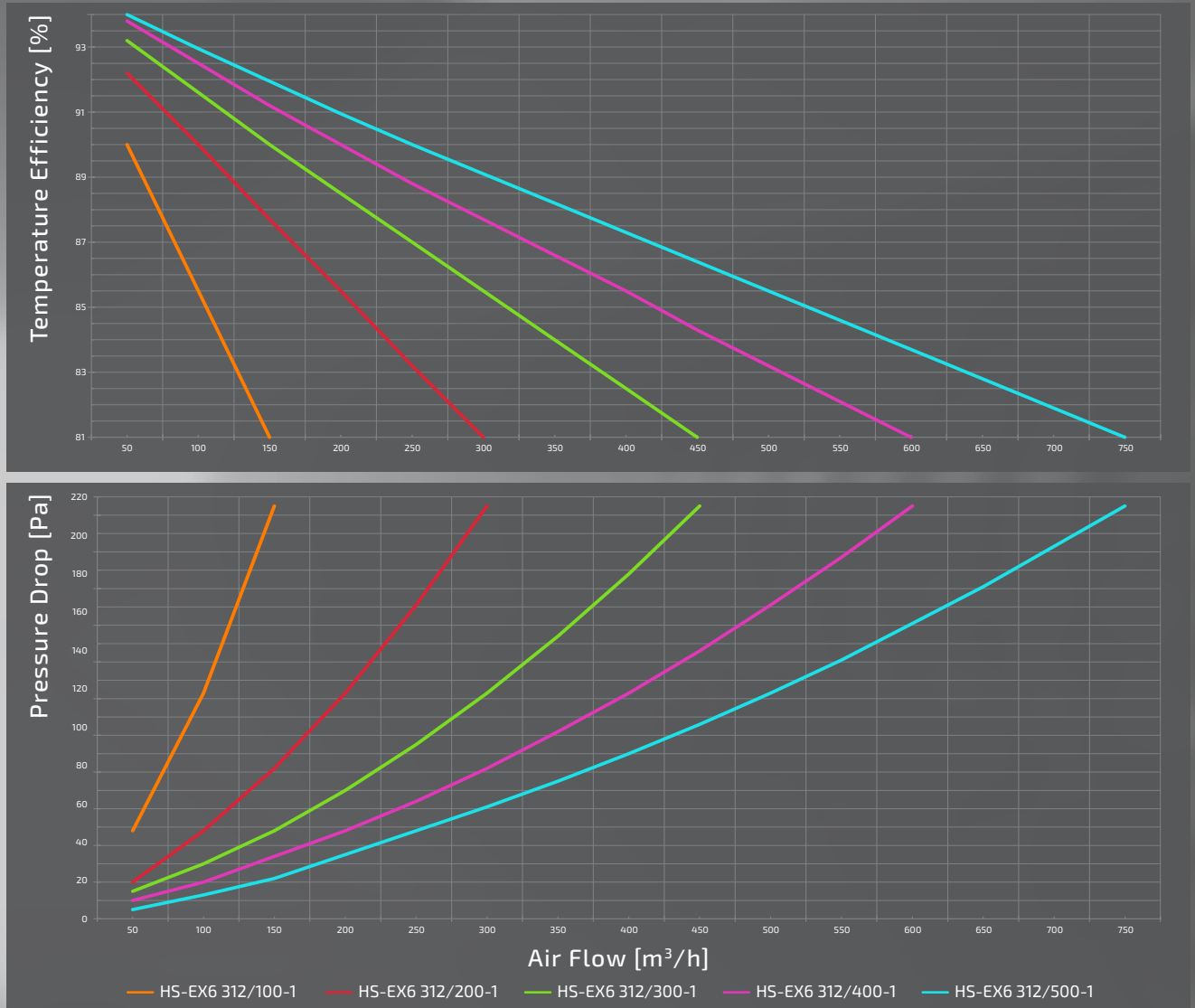
HS-EX6 312 delivers powerful performance in a compact form factor.



Stability in varying conditions

HS-EX6 312 can reliably maintain performance even as airflow or environmental factors fluctuate, providing stable, predictable results.

HS-EX6 312 SERIES DEPENDENCY DIAGRAMS



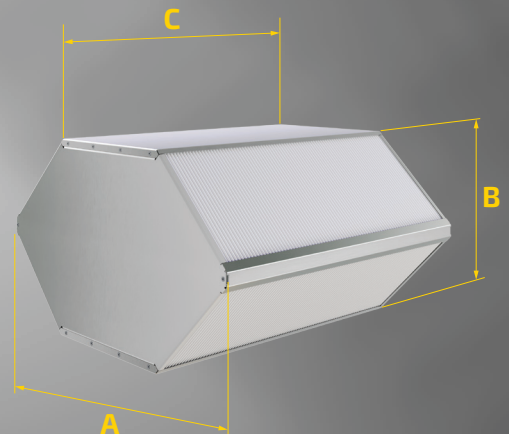
Test results on a HS-EX6 312/100...500-1 model with a depth of 100...500 mm, test conditions according to DIN EN 13141-7 (as well as EN 308)

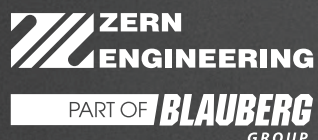
OVERALL DIMENSIONS

MODEL	DIMENSIONS [MM]			
	A	B	C	Casing design
HS-EX6 312/100...600-1 (1.1) / 3 (3.1)	537	312	100...600	1/1.1 3/3.1

Casing design

- 1 - aluzinc
- 1.1 - aluzinc with a T-profile
- 3 - aluminium
- 3.1 - aluminium with a T-profile





Stäblistraße 6
81477 München

HQ Tel. +49 89 23166620
HQ Fax. +49 89 78069521

sales@zern-engineering.com
zern-engineering.com

The Company reserves the rights to modify any of its products' features, designs, components and specifications at any time and without notice to maintain the development and quality of manufactured goods.

2025-01