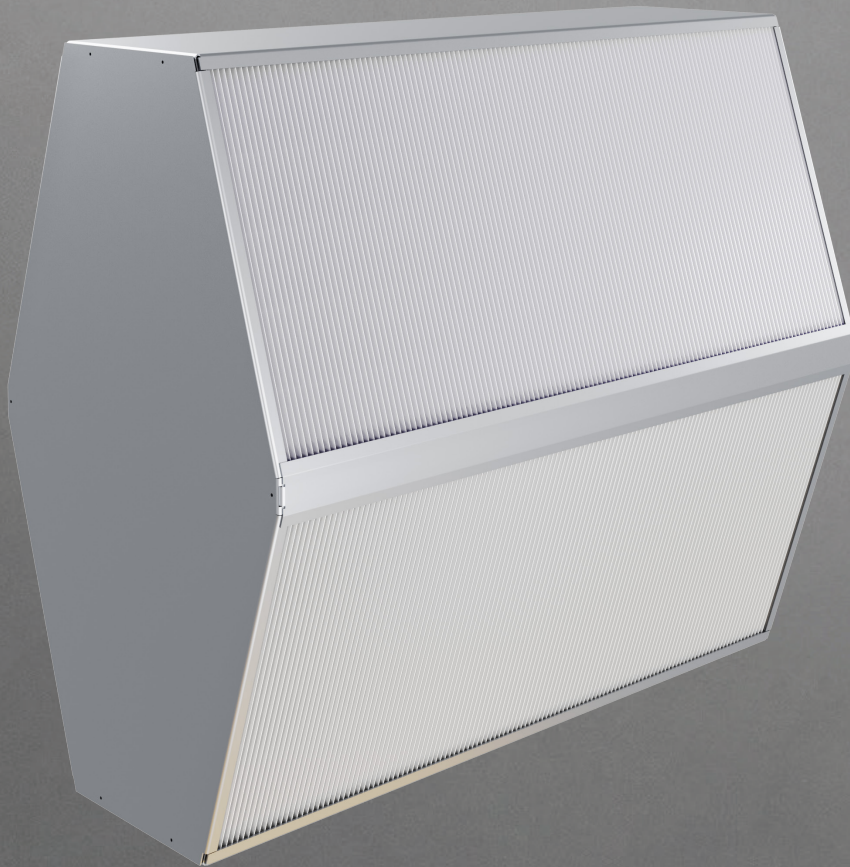


HU-EX6 450 SLIM. SMART. EFFICIENT.



■ UNIQUENESS

■ INNOVATION

■ RESULT

HU-EX6 450 SERIES

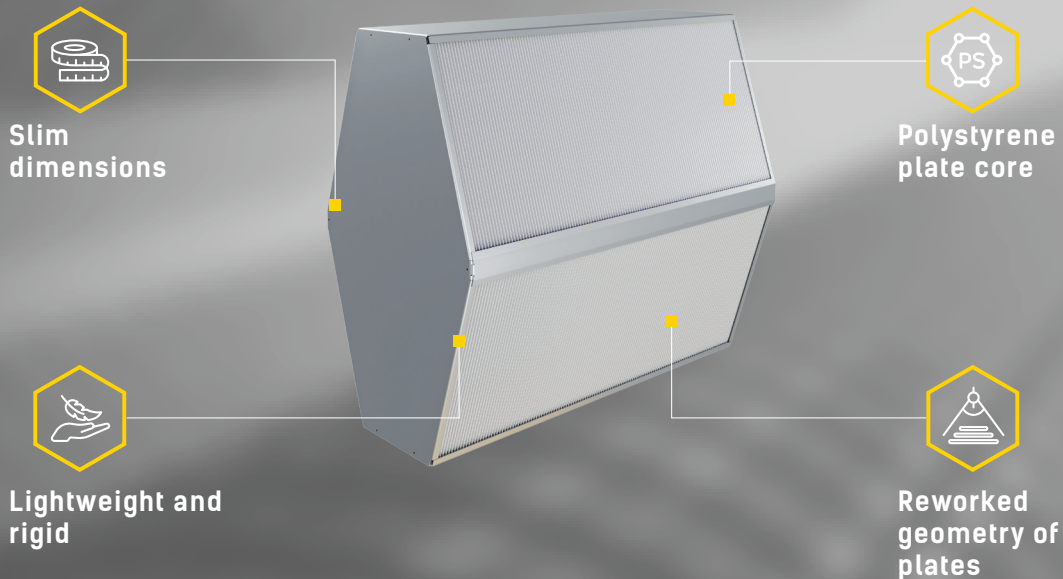
Slim. Smart. Efficient.

The **HU-EX6 450** is a compact, high-efficiency counter-flow plate heat exchanger from the HU-EX6 series, designed for integration into space-restricted air handling units. With dimensions of 450×270 mm, it is suitable for systems with airflow rates up to 700 m³/h and can be used in residential and light commercial ventilation units, including apartments, houses, and offices.

The heat exchanger is built from polystyrene plates with an optimized internal geometry, enabling thermal efficiency of **up to 93%**.

The unit is available in aluzinc or aluminum housing options, making it suitable for operation in a wide range of environments.

Its construction is non-hygroscopic, corrosion-resistant, and maintenance-friendly, supporting high performance in compact units.



MAIN ADVANTAGES



Optimized energy transfer

Optimized plate geometry and flow path enable high heat recovery up to 93% in a compact volume.



Balanced pressure drop

Flow channels are designed to minimize resistance while ensuring consistent heat exchange.



Compact, shallow profile

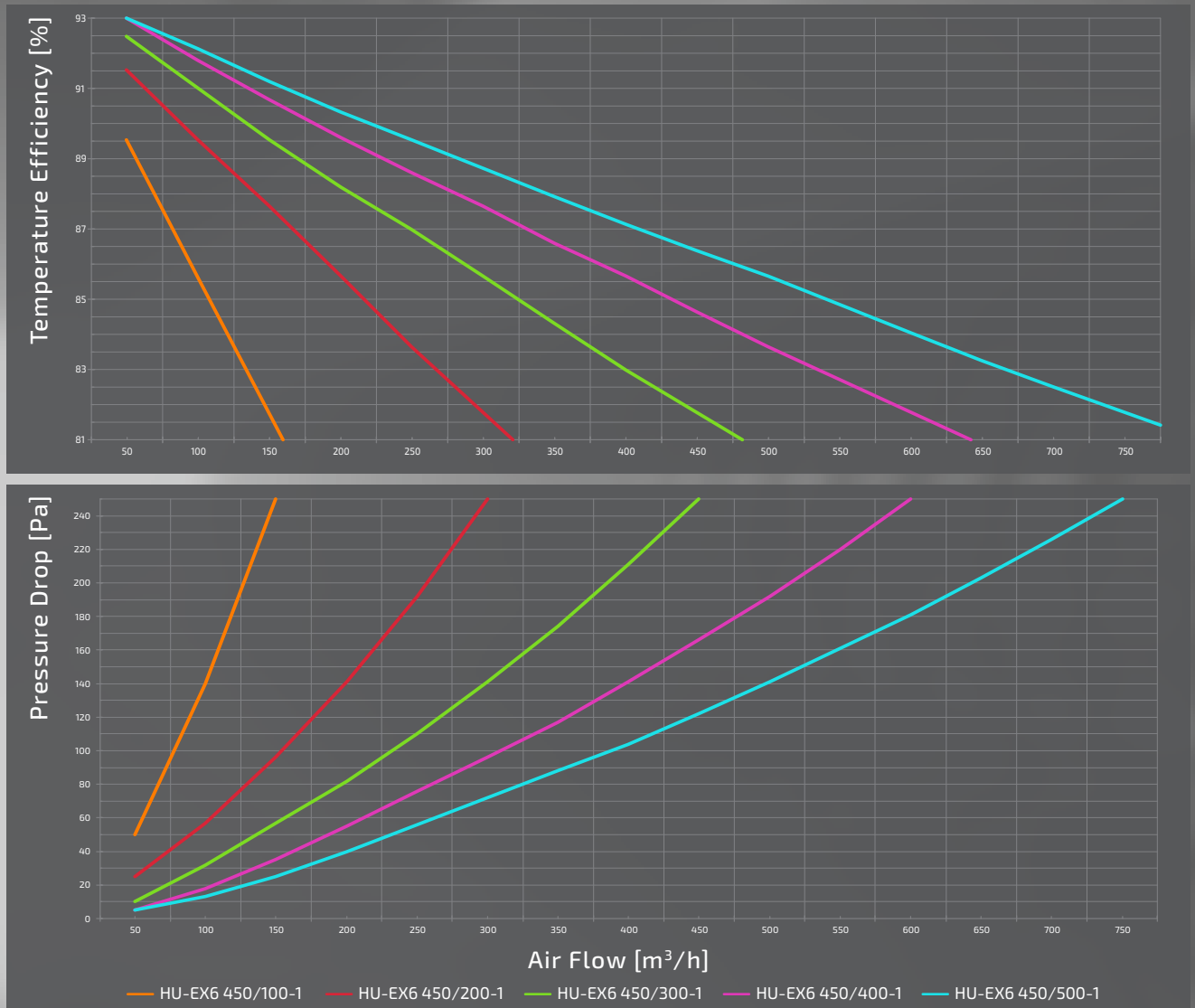
HU-EX6 450 fits into flat AHUs and space-restricted ventilation units



Reliable in real conditions

Stable performance under variable airflow and system conditions – no loss in effectiveness.

HU-EX6 450 SERIES DEPENDENCY DIAGRAMS



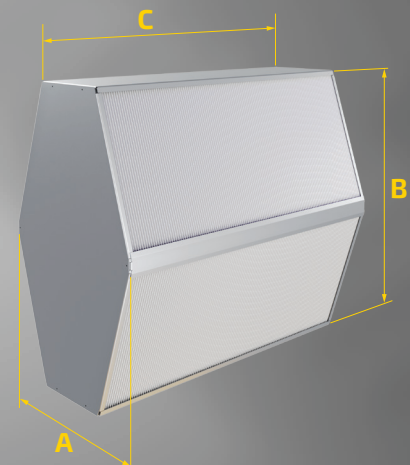
Test results on a HU-EX6 450/100...500-1 model with a depth of 100...500 mm, test conditions according to DIN EN 13141-7 (as well as EN 308)

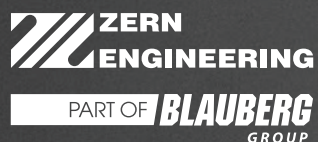
OVERALL DIMENSIONS

MODEL	DIMENSIONS [MM]			
	A	B	C	Casing design
HU-EX6 450/100...600-1 (1.1) / 3 (3.1)	270	450	100...600	1/1.1 3/3.1

Casing design

- 1 - aluzinc
- 1.1 - aluzinc with a T-profile
- 3 - aluminium
- 3.1 - aluminium with a T-profile





Stäblistraße 6
81477 München

HQ Tel. +49 89 23166620
HQ Fax. +49 89 78069521

sales@zern-engineering.com
zern-engineering.com

The Company reserves the rights to modify any of its products' features, designs, components and specifications at any time and without notice to maintain the development and quality of manufactured goods.

2025-06